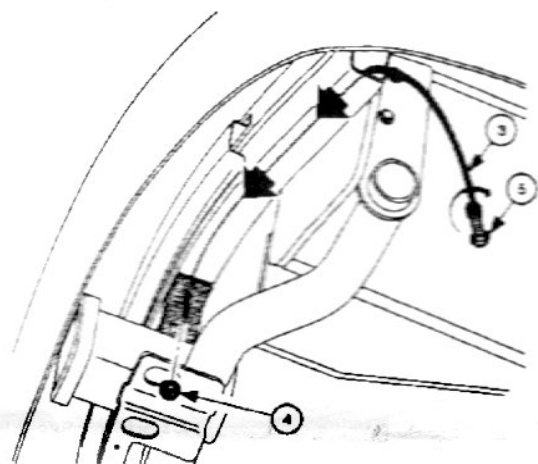


9. Thread one M12 carriage bolt (5) onto pull wire and loop into extension wire as shown.
10. Pull extension wire (3), pull wire and carriage bolt through bumper.
11. Unthread pull wire from carriage bolt and install nut and washer assembly (4) finger tight.
12. Repeat steps 8 thru 11 on opposite side of hitch.
13. Torque all hitch fasteners.

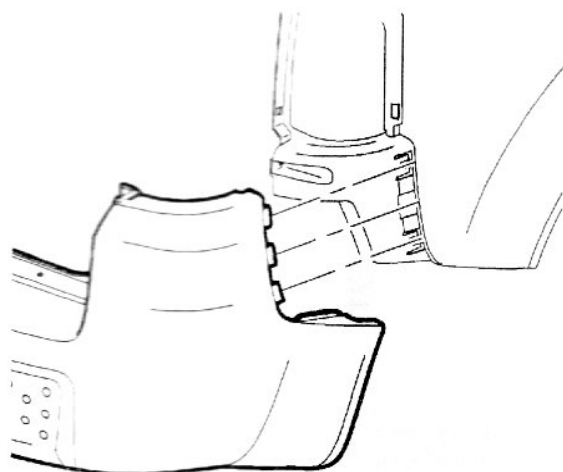
Torque:

Trailer Hitch Fasteners: 92 Nm (68 ft. lbs).

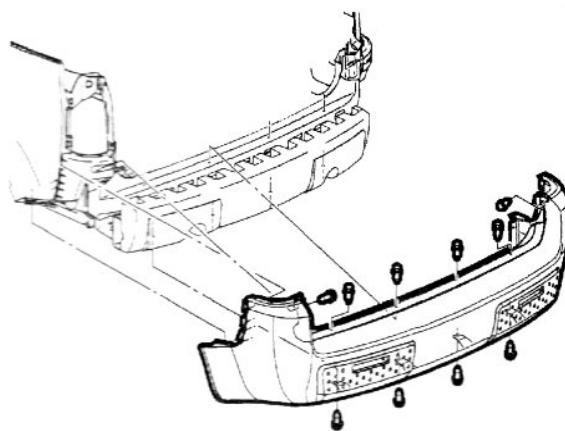


14. Re-install Fascia to vehicle.

**Fascia Replacement - Rear Bumper
Installation Procedure**

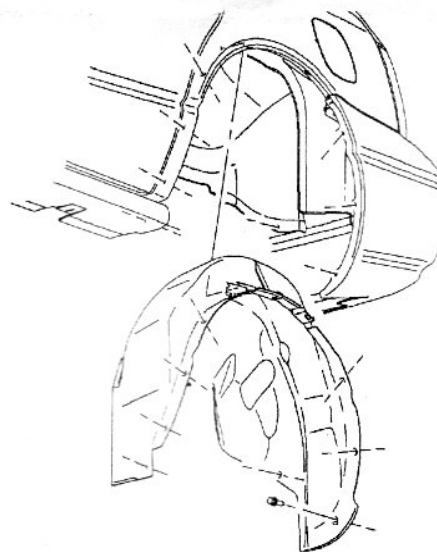


- A. Align fascia tabs with outer quarter panel slots.
- B. Firmly push the rear fascia ends into the quarter panel brackets until secure.



15. Re-install Right and Left Wheel Well Liners to Vehicle.

**Wheelhouse Liner Panel Replacement - Rear
Installation Procedure**



- A. Align the rear wheelhouse liner to the vehicle.
- B. Install the rear wheelhouse liner push-in retainers.